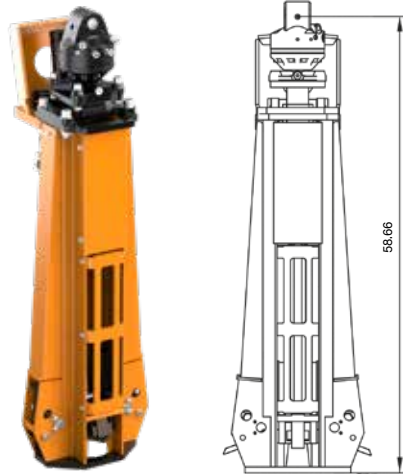


KINSHOFER container discharge attachments with the fast KINSHOFER mushroom system are characterised by short cycle times and an attractive acquisition price. Containers can be emptied even faster and more cost effectively with a one-man operation.

Container Discharge Unit KM 920-12 with KINSHOFER mushroom system

- ▷ Robust mechanics with self centring hydraulic interlocking.
- ▷ Precise positioning with KINSHOFER rotator, direct hose routing.
- ▷ Independence of crane operating pressure due to the pressure relief valve.
- ▷ Protection against damage of container by automatic lift stop and an additional height control system.
- ▷ Pressure control for user controlled unlocking.
- ▷ Including integrated locking indicator.



The safe operation of the container discharge unit KM 920-12 can only be guaranteed by KINSHOFER GmbH if the containers are equipped with ORIGINAL KINSHOFER HOIST AND FIXED DISKS and the specified spacing dimensions are complied with! Do not use fixed discs with locking ribs!

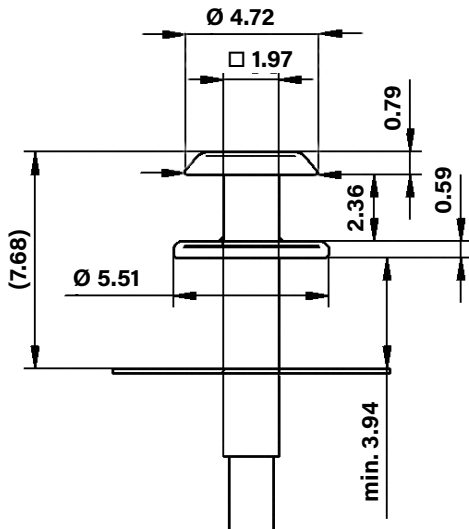
Type	max. Lift of the hook (in)	Load capacity (lbs)	Height (incl. rotator) (in)	Self weight* (lbs)	Operating pressure at oil flow
KM 920-12	20	5500	59	462	2900 - 3750 psi at max. 20 GPM 2900 - 5350 psi at max. 10.5 GPM

* incl. rotator & hoses / excl. upper suspension & pendulum damper

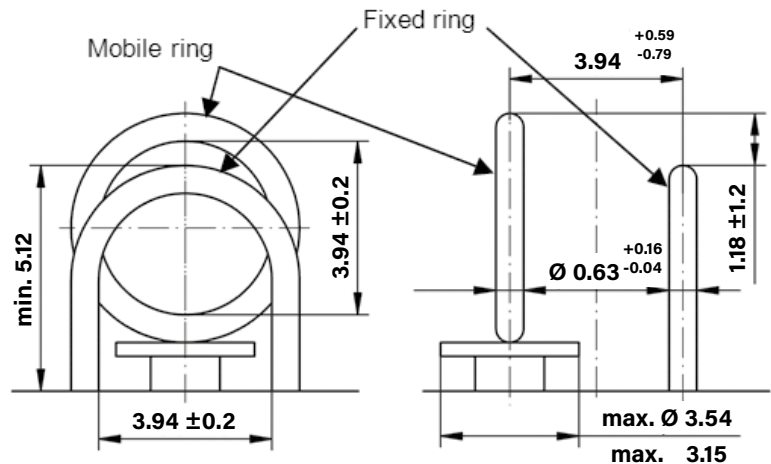
Package consists of: Container discharge unit, rotator KM 04 F, short connecting hoses KM 203 01, upper suspension with pendulum damper KM 511 4500, pressure relief valve and non-return valve

Dimensions for containers with KINSHOFER mushroom or ring system

mushroom system for containers



ring system for containers



mushroom and ring system: leverage hoisting max. 19.7 inches

Mushroom system at container
Usage only for containers with mushroom system with dimensions as shown above that are equipped with „ORIGINAL KINSHOFER FIXED and HOIST DISCS“. (according to DIN EN 13071-3)



Ring system at container
Usage only for containers with ring system with dimensions as shown above.
Hoist ring at container with max. lifting height 19.7 in.